

## Service Trolleys Rack Trolley for 20 GN 1/1

ITEM # \_\_\_\_\_

MODEL # \_\_\_\_\_

NAME # \_\_\_\_\_

SIS # \_\_\_\_\_

AIA # \_\_\_\_\_



361130 (RTT20)

Rack Trolley receiving  
20x1/1GN-EN

### Short Form Specification

Item No. \_\_\_\_\_

Constructed in AISI 304 stainless steel. Framework in square 25x25mm tubing. Tray supports, in chromium plated galvanised steel, can slide up/down for cleaning. Designed to hold trays or containers placed in two rows (10+10). Removable top shelf for collection of glasses and bottles. N. 4 pivoting wheels mm125 in diameter, of which 2 with brakes, with support in chromium plated galvanised steel. Wheels are fitted with grey plastic bumpers. Durable no-mark tread on the wheels. Delivered already assembled.

### Main Features

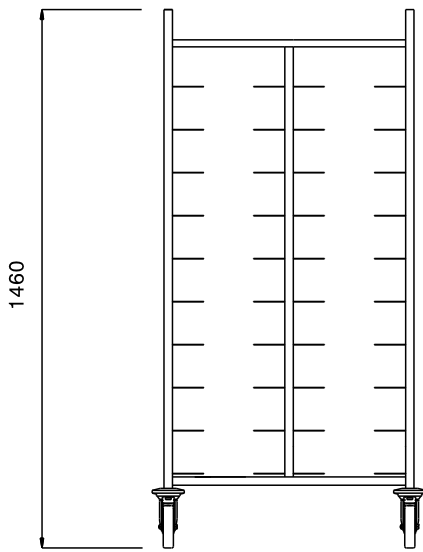
- Framework in square 25x25 mm tubing, completely welded.
- Chromium plated galvanised steel tray supports can be slid up/down for cleaning.
- Removable top shelf for collection of glasses and bottles.
- Accomodates 20 GN trays or containers placed in single row.
- 4 pivoting Ø 125 mm wheels, 2 of which with brakes, fitted with plastic bumpers and support in chromium plated galvanised steel.

### Construction

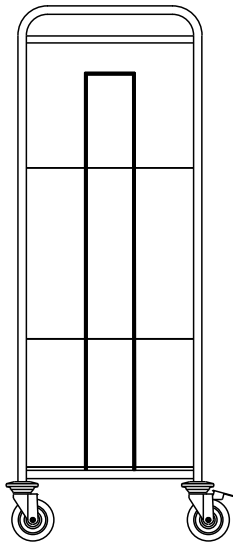
- Constructed entirely in 304 AISI stainless steel.

APPROVAL: \_\_\_\_\_

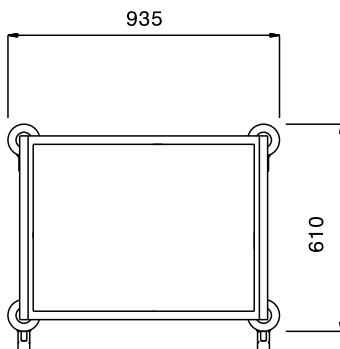
Front



Side



Top



**Key Information:**

<b>External dimensions, Width:</b>	
<b>361130 (RTT20)</b>	935 mm
<b>External dimensions, Depth:</b>	610 mm
<b>External dimensions, Height:</b>	1460 mm
<b>Wheel material:</b>	Zinc plated
<b>Wheel diameter:</b>	Ø 125
<b>Net weight:</b>	38 kg